

Banico Gas Solenoid Valve

Application:

Gas solenoid valves are used for safety and control of gas for shut-off in gas feed pipes.

Suitable for various gases, including Natural Gas and LPG

¼" inlet and outlet plugs suitable for CPI switches, pressure gauges, and connection to proving and interlocking systems.

Operation & Installation:

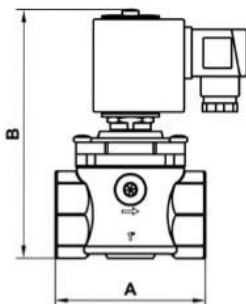
Two-way, normally closed – energise to open rapidly.
The valve can be mounted direct on the pipeline, horizontally or vertically.



Technical specification:

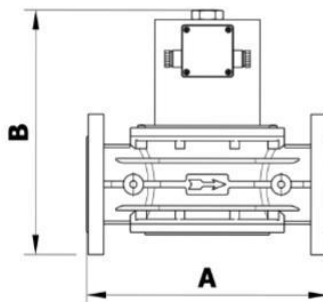
- Opening time: <1 second
- Closing time: <1 second
- Max number of operations: 20 per min
- ¼" inlet and outlet plugs
- Incorporated AISI 303 steel mesh filter
- Cable entry gland PG11 Live, Neutral, Earth
- Protection of IP54
- NBR based seal resistant to hydrocarbons
- Bodies and flanges in diecast aluminium
- AISI 302 steel pressure spring
- Chromate Fe 37 steel armature
- Ambient temperature -15°C to 60°C

Type	A	B
ZEV10	72	112
ZEV15	72	112
ZEV20	86	156
ZEV25	100	156
ZEV32	150	214
ZEV40	150	214
ZEV50	170	220
ZEV65	220	290
ZEV80	220	290



Type	A	B
ZEVF65	310	343
ZEVF80	310	343
ZEVF100	350	384
ZEVF125	400	592
ZEVF150	480	630

Type	Size	Connection	Max Press.	Power VA
ZEV10	3/8"	BSP	360 mbar	20
ZEV15	½"	BSP	360 mbar	20
ZEV20	¾"	BSP	360 mbar	25
ZEV25	1"	BSP	360 mbar	25
ZEV32	1 ¼"	BSP	360 mbar	50
ZEV40	1 ½"	BSP	360 mbar	50
ZEV50	2"	BSP	360 mbar	50
ZEV65	2 ½"	BSP	360 mbar	68
ZEV80	3"	BSP	360 mbar	68
ZEVF65	65mm (2 ½")	Flanged PN16	360 mbar	68
ZEVF80	80mm (3")	Flanged PN16	360 mbar	68
ZEVF100	100mm (4")	Flanged PN16	360 mbar	170
ZEVF125	125mm (5")	Flanged PN16	200 mbar	290
ZEVF150	150mm (6")	Flanged PN16	200 mbar	290



Standards & Approvals:

- Class A, BS EN161:2002 approved
- British Gas & European Standards
- 90/396/EEC – 73/23/EEC – 89/336/EEC
- Certificate CE EC – 87/07/009